

## SECTION DETAIL - BUILDER

Heavy extruded vinyl spacers between glass blocks provide strength, alignment and flexibility. Unlike traditional mortared joints, our high performance, flexible silicone joints will not crack during shipping.

High performance silicone joints instead of mortar will not mold or mildew, are longer lasting and maintenance-free.

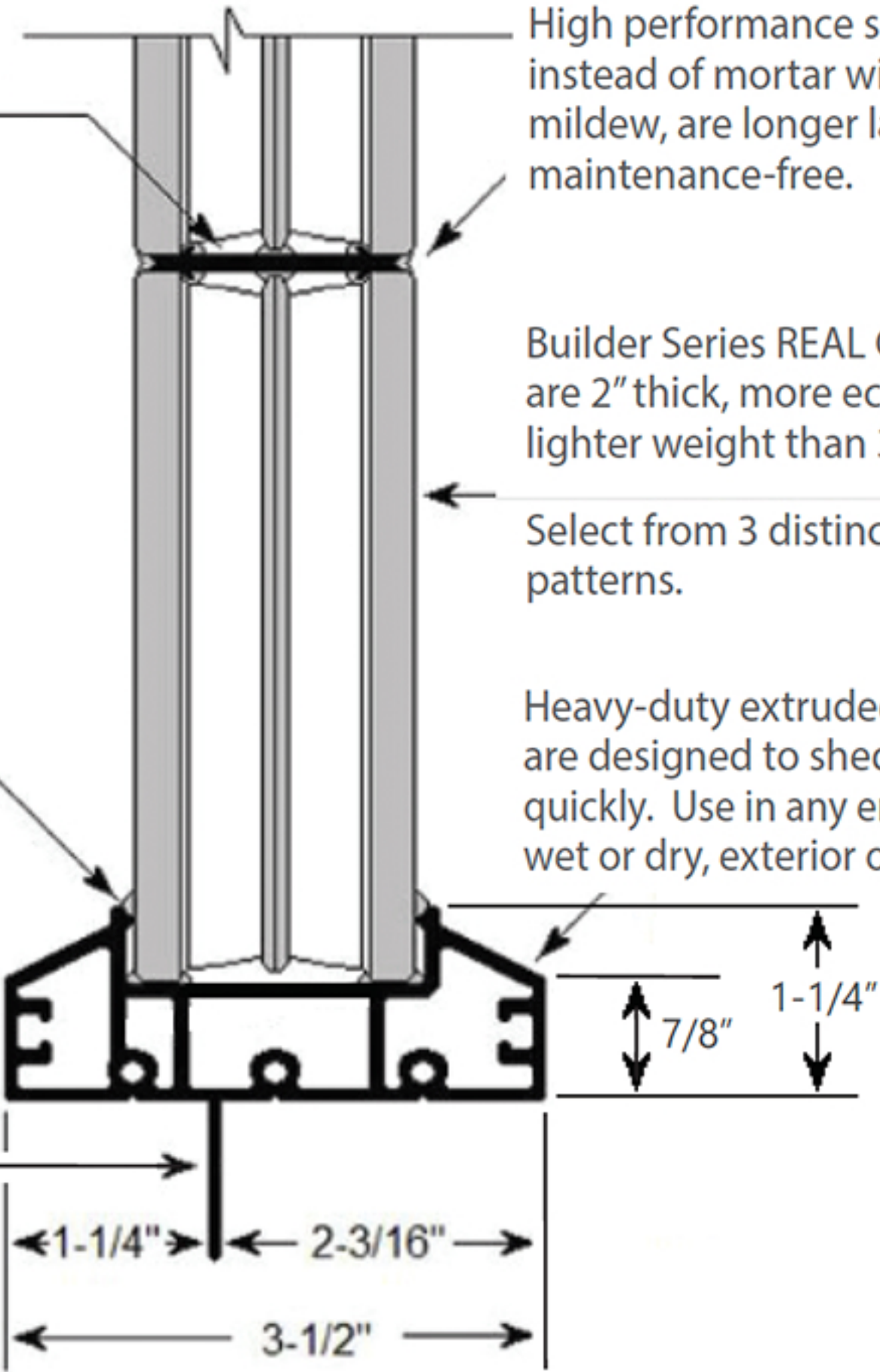
Builder Series REAL GLASS BLOCKS are 2" thick, more economical and lighter weight than 3" thick blocks.

Select from 3 distinctive glass patterns.

Heavy-duty extruded vinyl frames are designed to shed water and dry quickly. Use in any environment, wet or dry, exterior or interior.

High performance silicone seals on both sides of the frame will not mold or mildew like mortar. Perfect for showers!

Integrated nailing fins for easy installation



[www.PacificGlassBlock.com](http://www.PacificGlassBlock.com)