

SECTION DETAIL - PREMIER

Heavy extruded vinyl spacers between glass blocks provide strength, alignment and flexibility. Unlike traditional mortared joints, our high performance, flexible silicone joints will not crack during shipping.

High performance silicone seals on both sides of the frame will not mold or mildew like mortar. Perfect for showers!

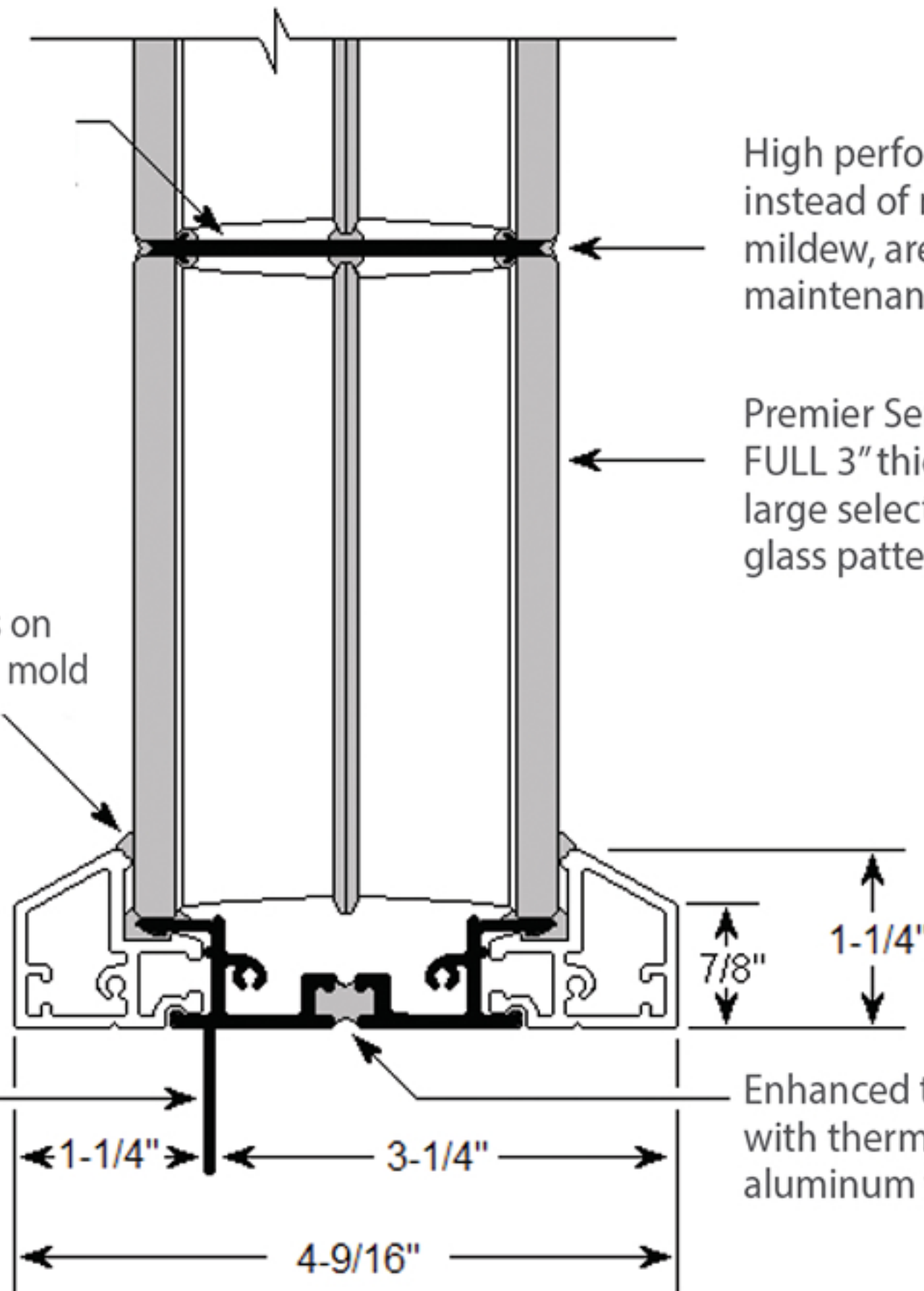
Extruded aluminum frame is available in 8 standard colors

Integrated nailing fins for easy installation

High performance silicone joints instead of mortar will not mold or mildew, are longer lasting and maintenance-free.

Premier Series glass blocks are a FULL 3" thick and available in a large selection of distinctive glass patterns

Enhanced thermal performance with thermal break in extruded aluminum frame base



www.PacificGlassBlock.com